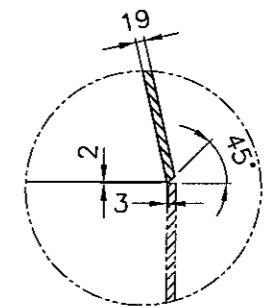
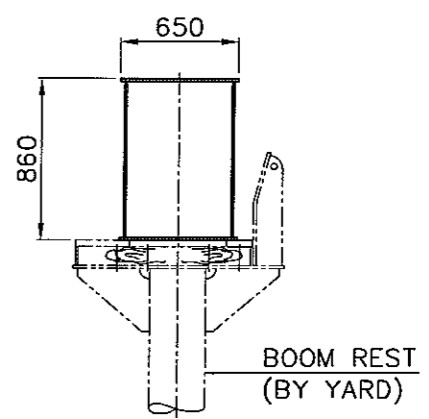


SPECIFICATION

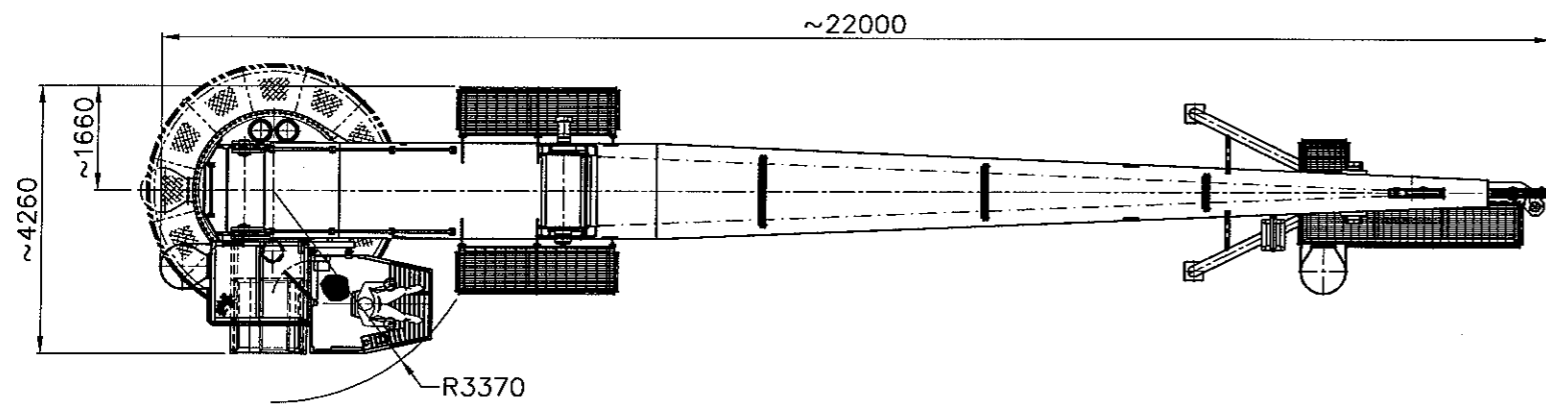
SWL	: 20 T	25 T
MAX. OUTREACH	: 25 M	20 M
MIN. OUTREACH	:	6.8 M
HOISTING SPEED	:	10 M/MIN
HOOK TRAVEL	:	40 M
SLEWING SPEED	:	0.5 RPM
SLEWING SECTOR	:	360° CONTINUOUS
LUFFING TIME	:	135 SEC.
POWER PACK	:	BUILT-IN
MAX. LIST/TRIM	:	5/2°
MAX. TILTING MOMENT	:	1740 TM
MAX. THRUST FORCE	:	109 T
SHIP MAIN SUPPLY RATING	:	415V, 50Hz, 3Ph
SHIP AUX SUPPLY RATING	:	220V
	:	5KW



DETAIL A
WELD PREPARATION
NTS



SECTION B - B
N.T.S



REV.	DATE	DESCRIPTION	DRAWN	CHK'D	APPR'D
B	10.10.06	ISSUED FOR APPROVAL	LWK	<i>[Signature]</i>	<i>[Signature]</i>
A	08.10.06	ISSUED FOR INFORMATION	XC	CSA	-